



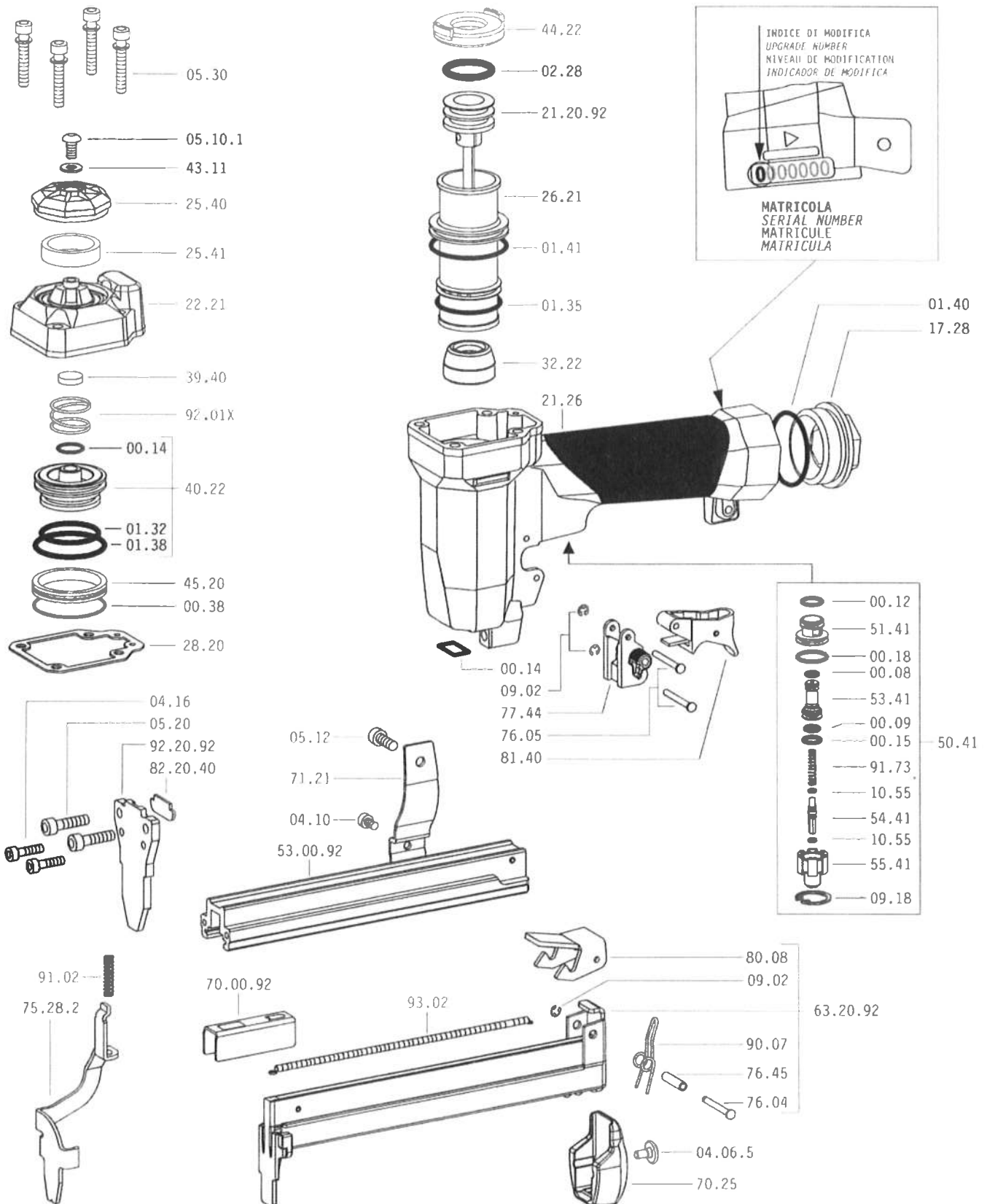
92.25

USE, MAINTENANCE & SPARE PARTS MANUAL



TECHNICAL DATA		Cod. 1227200
Usable lengths mm	9 ÷ 25	Type of Fastener 92
Magazine capacity, no. of fasteners	100	
Working pressure	5 ÷ 7 bar 70 ÷ 100 psi	
Air consumption litres/shot	0.31	
Weight kg	1.10	
Dimensions	226x50x211	
Sound pressure at work station EN 12549:1999 ISO 11201:1995	80.1 dB(Ä)	
Emitted sound power EN 12549:1999 ISO 3744:1994	86.9 dB(A)	
Weighted mean value of vibration on the grip EN 28662:1992 ISO 5349:1986 ISO 8662-11	<2.5 m/s ²	March 2015

SPARE PARTS



EQUIPMENT

MARCH 2015



92.25

cod. 1227200

SPARE PARTS

Cod.	Description
00.08	O-Ring
00.09	O-Ring
00.12	O-Ring
00.14	O-Ring
00.15	O-Ring
00.18	O-Ring
00.38	O-Ring
01.32	O-Ring
01.35	O-Ring
01.38	O-Ring
01.40	O-Ring
01.41	O-Ring
02.28	O-Ring
04.06.5	Screw
04.10	Screw
04.16	Screw
05.10.1	Screw
05.12	Screw
05.20	Screw
05.30	Screw
07.30	Hex. bar wrench
07.40	Hex. bar wrench
09.02	Elastic ring
09.18	Elastic ring
10.55	O-Ring
17.28	Inlet cap
21.26	Body
22.21	Head
25.40	Exhaust deflector
25.41	Silencer
26.21	Cylinder
28.20	Head gasket
32.22	Bumper
39.40	Exhaust seal
40.22	Valve ass'y
43.11	Washer
44.22	Gasket
45.20	Ring
50.41	Trigger valve ass'y
51.41	Trigger valve housing
53.41	Valve piston
54.41	Trigger valve
55.41	Bush
70.25	Guard
71.21	Support
75.28.2	Safety
76.04	Pin
76.05	Pin
76.45	Pin
77.44	Safety guide
80.08	Trigger
81.40	Trigger
90.07	Spring
91.02	Spring
91.73	Spring
92.01X	Spring
93.02	Spring
21.20.92	Driver
53.00.92	Magazine
63.20.92	Slider
70.00.92	Pusher
82.20.40	Nose
92.20.92	Nose plate
D01	Oiler

Joists - Kit O-Rings

